

CMP18 - Crimping Tool

For Superseal and Econoseal

• Material:

- Main body: S45C (HRC 43-47)
- Surface treatment: Electro deposit
- Die material: SCM440 (HRC 42)
- Die surface: Black oxide
- Handles: Polypropylene

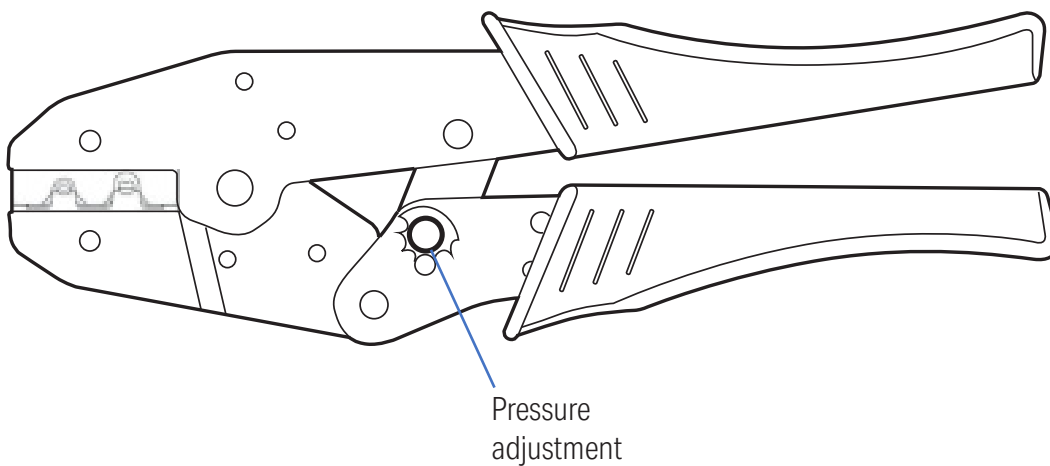
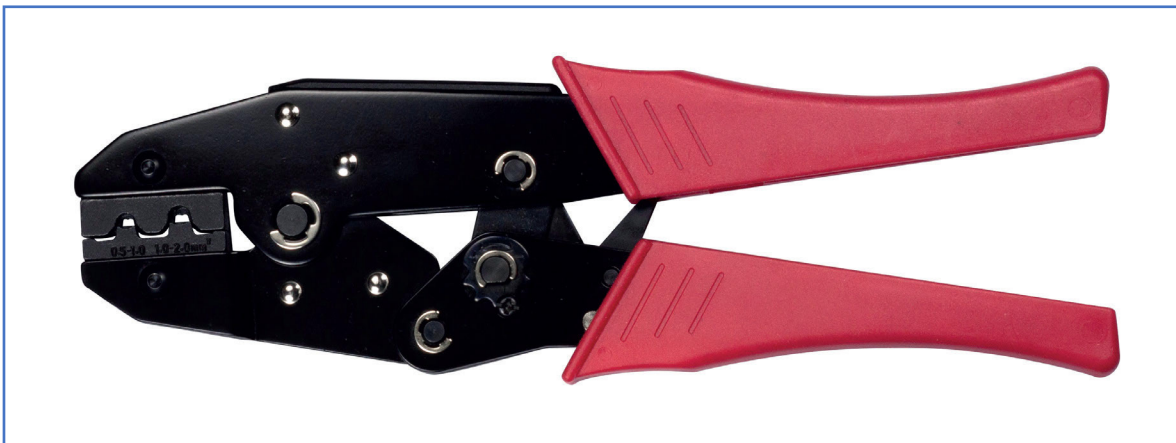


• Colour:

Red & Black

• Features:

- High strength through hardened steel
- Anti-slipping handles
- Pressure adjustable tensioner
- Replaceable jaws



Item No.	Terminal Type	Crimping Range (mm ²)	Weight (kgs)	L (mm)	Handle Colour
CMP18	Superseal Connectors	0.5 - 2.0	0.6	230	Red