

CMP2 - Crimping Tool

For Insulated Terminals

• Material:

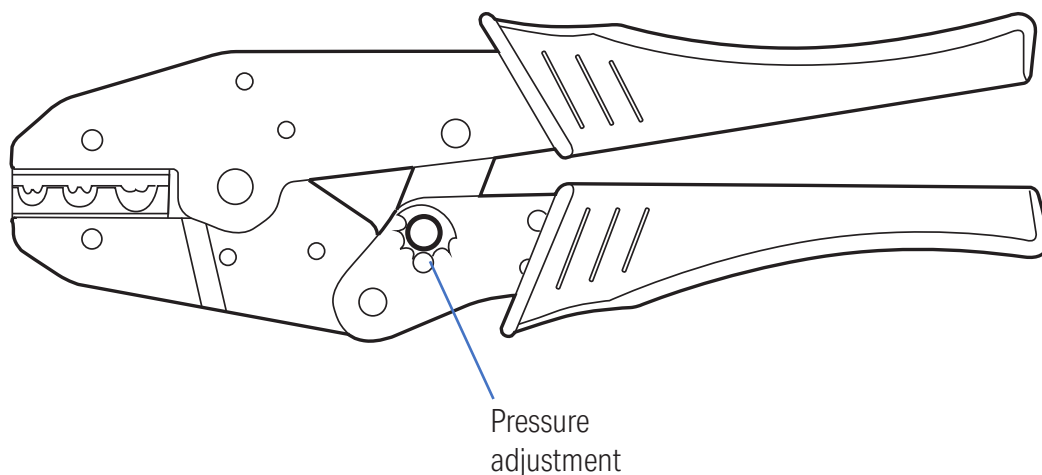
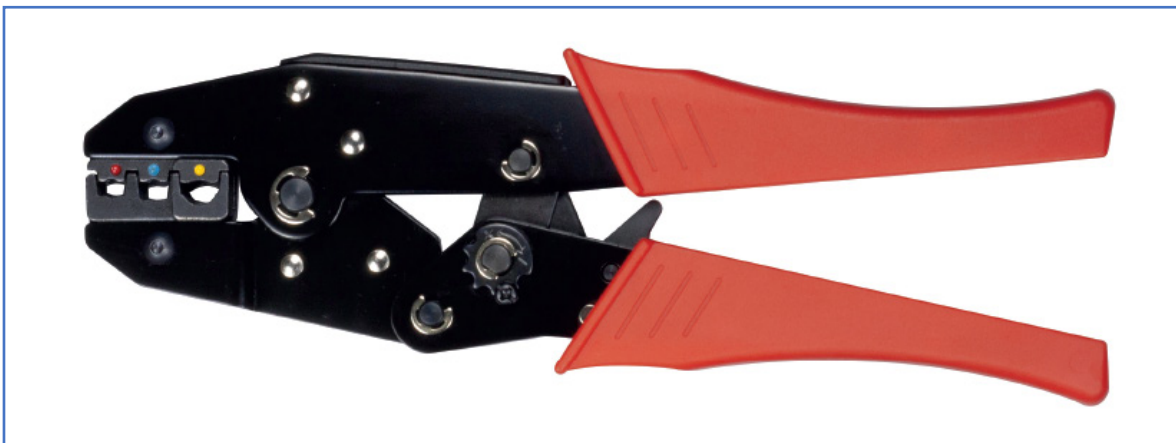
- Main body: S45C (HRC 43-47)
- Surface treatment: Electroplating
- Die material: SCM440 (HRC 42)
- Die surface: Black oxide
- Handles: Polypropylene

• Colour:

Red & Black (handle colour may vary)

• Features:

- High strength through hardened steel
- Anti-slipping handles
- Pressure adjustable tensioner
- Replaceable jaws



Item No.	Terminal Type	Crimping Range (mm ²)	Weight (kgs)	L (mm)	Handle Colour
CMP2	Insulated	0.5 - 6.0	0.6	230	Red