

CMP8 - Crimping Tool

For Uninsulated Terminals

• Material:

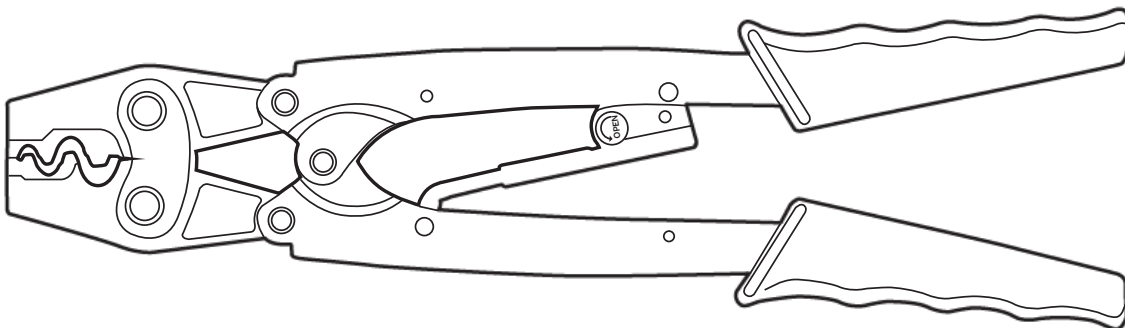
- Die material: SCM440 (HRC 42-45)
- Die surface: Black oxide
- Handle material: S15C
- Handle treatment: Plating
- Handle cover: PVC (rubber)

**• Colour:**

Red

• Features:

- High strength through hardened steel.
- Anti-slipping handles.



| Item No. | Terminal Type | Crimping Range (mm ²) | Weight (kgs) | L (mm) | Handle Colour |
|----------|---------------|-----------------------------------|--------------|--------|---------------|
| CMP8 | Uninsulated | 6.0 - 25.0 | 0.9 | 365 | Red |