

Fuse holders

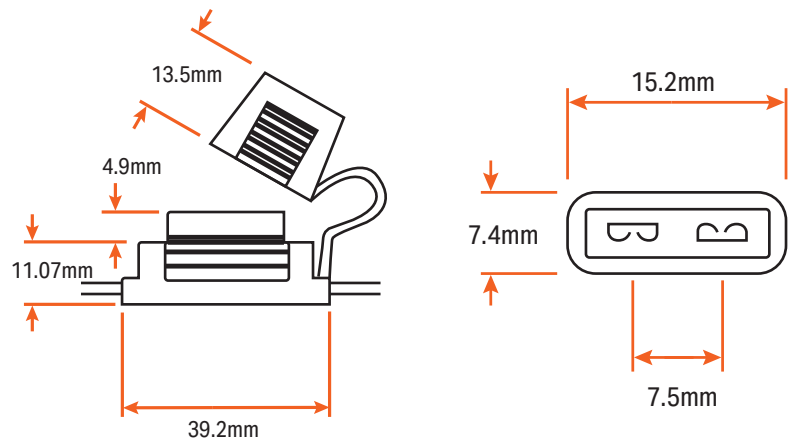
Splash-proof Mini Blade Fuse Holder -30A

- **Material:**

Casting: PVC
Connector: Nickle-plating brass

- **Usage:**

Mini-auto plug-in sheet fuse..
Fitted with a lid to prevent ingress of water.



Item No.	Colour	Current rating (A)	Wire size (mm ²)
FU43	Black/Red	30	4.0

The above information is given only as a guide, the user should ensure that the performance of the product is sufficient for application. The quoted values are average and should not be taken as maximum or minimum values for specific purposes. Beal UK cannot be held responsible for product failure unless full testing has been carried out. The user has to decide on the tapes suitability for their own applications.