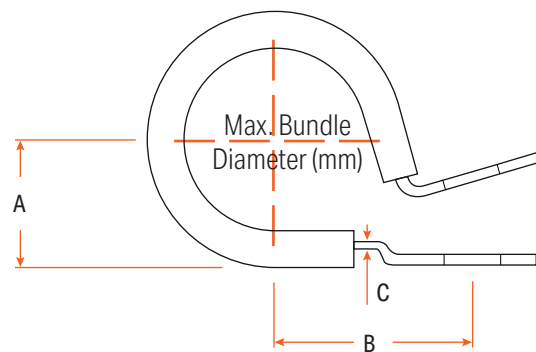
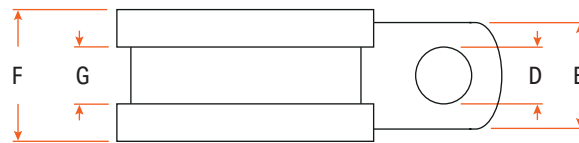


# Rubber Lined P Clips

## Mild Steel and Stainless Steel

• <b>Material:</b>	Mild Steel - bright zinc plated Stainless Steel grade 304.
• <b>Liner:</b>	TPE black rubber
• <b>Features:</b>	Zinc plated provides excellent corrosion resistance.
• <b>Application:</b>	A range of P-clips for secure clamping of pipes, cables and hoses
• <b>Operating Temperature:</b>	-30°C to +60°C



# Rubber Lined P Clips

## Mild Steel and Stainless Steel

Item No.	Dimensions (mm)							Max. Bundle Diameter (mm)
	A	B	C	D	E	F	G	
<b>Mild Steel</b>								
<b>PC5</b>	3.5	13.0	0.8	6.6	12.0	15.0	7.0	5
<b>PC6</b>	4.5	15.0	0.8	6.6	12.0	15.0	7.0	6
<b>PC8</b>	5.5	16.0	0.8	6.6	12.0	15.0	7.0	8
<b>PC10</b>	6.5	18.0	0.8	6.6	12.0	15.0	7.0	10
<b>PC13</b>	8.0	19.0	0.8	6.6	12.0	15.0	7.0	13
<b>PC16</b>	9.5	20.0	0.8	6.6	12.0	15.0	7.0	16
<b>PC19</b>	11.0	21.0	0.8	6.6	12.0	15.0	7.0	19
<b>PC21</b>	12.0	22.0	0.8	6.6	12.0	15.0	7.0	21
<b>PC25</b>	15.0	24.0	0.8	6.6	12.0	15.0	7.0	25
<b>PC29</b>	16.0	26.0	0.8	6.6	12.0	15.0	7.0	29
<b>PC35</b>	19.0	29.0	0.8	6.6	12.0	15.0	7.0	35

<b>Stainless Steel</b>								
<b>SSPC5</b>	3.5	13.0	0.8	6.6	12.0	15.0	7.0	5
<b>SSPC6</b>	4.5	15.0	0.8	6.6	12.0	15.0	7.0	6
<b>SSPC8</b>	5.5	16.0	0.8	6.6	12.0	15.0	7.0	8
<b>SSPC10</b>	6.5	18.0	0.8	6.6	12.0	15.0	7.0	10
<b>SSPC13</b>	8.0	19.0	0.8	6.6	12.0	15.0	7.0	13
<b>SSPC16</b>	11.0	21.0	0.8	6.6	12.0	15.0	7.0	16
<b>SSPC21</b>	12.0	22.0	0.8	6.6	12.0	15.0	7.0	21
<b>SSPC25</b>	15.0	24.0	0.8	6.6	12.0	15.0	7.0	25
<b>SSPC29</b>	16.0	26.0	0.8	6.6	12.0	15.0	7.0	29
<b>SSPC35</b>	19.0	29.0	0.8	6.6	12.0	15.0	7.0	35
<b>SSPC40</b>	22.0	32.0	0.8	6.6	12.0	15.0	7.0	40