

# Battery Isolator Switch 100A

**• Specification:**

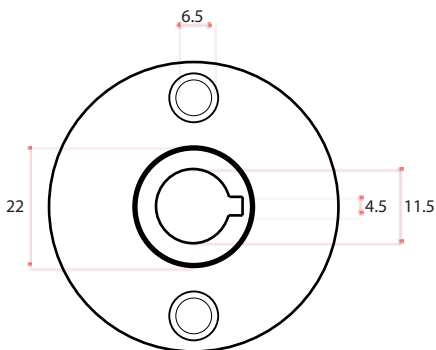
- Key positions: 2 (on/off)
- Number of keys: 2
- Maximum Peak Load: 12c 1000 amps for 10 seconds, 24x 500 amps for 10 seconds
- Maximum Continuous Load: 100 amps @12v, 50 amps @24v

**• Use:**

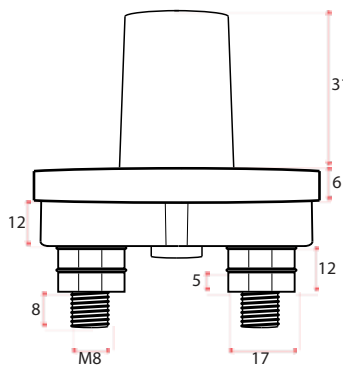
Suitable for various 12v and 24v car, commercial, agriculture and leisure applications



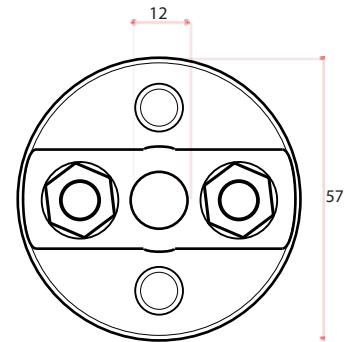
TOP VIEW



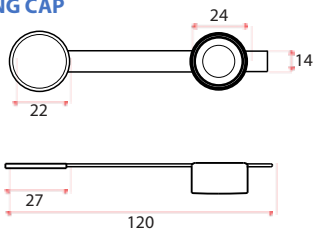
SIDE VIEW



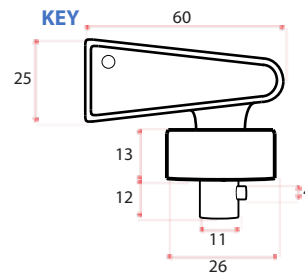
BOTTOM VIEW



COVERING CAP



KEY



Tolerance: +/- 5%

Item No.	Type	Circumference (mm)	Heigh (mm)	Screw type	Colour
SH9	Battery Isolator Switch 100A	57.0	69.0	M8	Black/Red