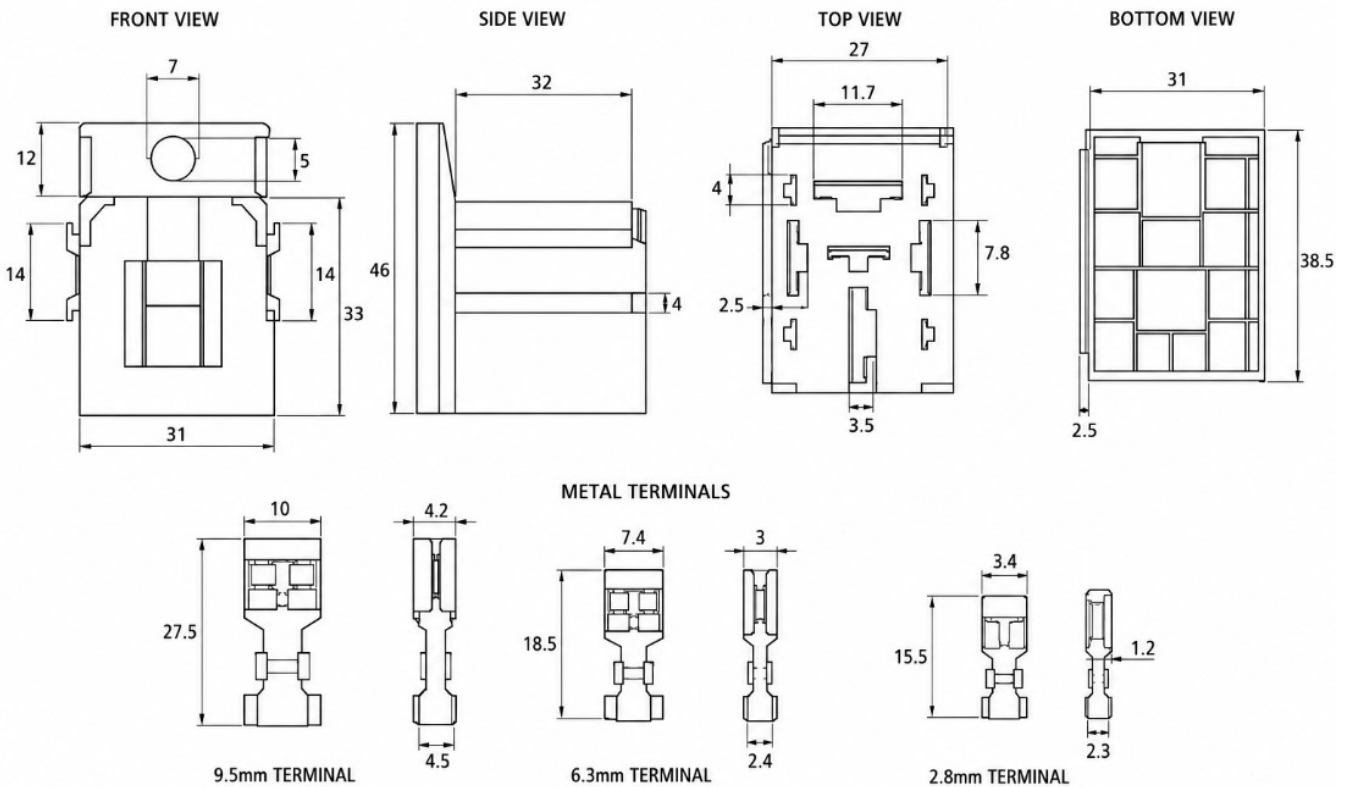


9 Pin Maxi Relay Base With Terminals

RY200

• Type:	9 Pin Maxi Relay Base With Terminals
• Maximum Load:	12V 300A & 24V 150A
• Relay Base Material:	PA66+30GF
• Operating Temperature:	-40~80°C
• Terminal Material :	Phosphur Bronze
• 2.8mm & 9.5mm Terminal Plating:	Tin Plated
• 6.3mm Terminal Plating:	None



The above information is given only as a guide, the user should ensure that the performance of the product is sufficient for application. The quoted values are average and should not be taken as maximum or minimum values for specific purposes. Beal UK cannot be held responsible for product failure unless full testing has been carried out.